

## MICROLED (MICRO-LED) – NEW DIMENSION IN OPTOELECTRONICS

### Abstract

The demand for high-performance displays is on a continuous rise due to their wide applications in smart devices like smart phones, watches, augmented reality, virtual reality, and naked eye 3D projection. Future displays will mainly consist of high-resolution, transparent, and flexible display technologies. Among these, MicroLEDs (light-emitting diodes) stand out as they offer exceptional features such as low power consumption, wider color gamut, longer lifespan, and rapid response-time. This makes them a potential replacement for traditional liquid crystal displays and organic LED-based technologies. However, to solidify their position in the future of display technology, MicroLEDs must overcome challenges related to mass transfer and high manufacturing costs. In this paper, we will delve into several intriguing topics surrounding MicroLED technology, including its fundamental concepts, intricate structure, the fascinating manufacturing process it undergoes, the challenges faced during production, and the remarkable advantages and disadvantages it brings to the table. Moreover, we will explore the diverse and exciting array of applications and uses of MicroLEDs in various fields and industries, uncovering the immense potential they hold for shaping our future.

**Keywords:** Micro LED, Transfer Integration, Bond Integration, Growth Integration, Multiple Quantum Wells (MQW) Scalability, flexibility, No Burn-in Effect, Coupling Efficiency, Optical Computing.

### Authors

#### **Srikant Khator**

B. Tech Student  
Department of Electronics and  
Communication Engineering  
Guru Nanak Institute of Technology  
Kolkata, West Bengal, India  
srikantkhator@gmail.com

#### **Vinayak Raj Gupta**

B. Tech Student  
Department of Electronics and  
Communication Engineering  
Guru Nanak Institute of Technology  
Kolkata, West Bengal, India  
vinayakrajguptas@gmail.com

#### **Tushar Basak**

B. Tech Student  
Department of Electronics and  
Communication Engineering  
Guru Nanak Institute of Technology  
Kolkata, West Bengal, India  
tusharbasak2021@gmail.com

#### **Dr. Soumik Podder**

Assistant Professor  
School of Computer Science and Artificial  
Intelligence  
SR University, Warangal  
Telangana, India  
nanotechsoumik@gmail.com

## I. INTRODUCTION

LEDs (Light Emitting Diodes) have emerged as the ultimate light source in lighting technology, experiencing significant advancements over the past few decades. The rapid development of solid-state lighting is primarily driven by the remarkable features of high-brightness visible LEDs, including high efficiency, reliability, rugged construction, low power consumption, and long-lasting durability. In contrast to conventional light sources like filament light bulbs and fluorescent lamps, which rely on incandescence or gas discharge, LEDs operate through semiconductor materials. These conventional processes lead to substantial energy losses due to high temperatures and large Stokes shift characteristics. However, the use of semiconductor materials in LEDs enables highly efficient light generation, with the potential to convert electricity to light with nearly unity efficiency. This makes LEDs an attractive and promising solution for modern lighting needs. The demand for high-performance displays is on a constant rise due to their extensive applications in smart devices like smartphones, watches, as well as in augmented reality, virtual reality, and naked-eye 3D projection systems. For the future, high-resolution, transparent, and flexible displays are expected to be the primary types of display technologies. In this context, MicroLEDs (light-emitting diodes) have emerged as a highly promising display technology. They offer exceptional features such as low power consumption, a wider color gamut, longer lifespan, and rapid response time. As a result, MicroLED displays have the potential to replace traditional liquid crystal displays and organic LEDs-based technologies, offering significant advantages in terms of performance and efficiency. By leveraging MicroLED technology, manufacturers can develop displays that are more energy-efficient, provide better color representation, have longer operational lifetimes, and offer faster response times. These advantages make MicroLEDs a preferred choice for next-generation high-performance displays in various electronic devices and applications. As technology continues to evolve, micro-LEDs are expected to play a crucial role in shaping the future of display technologies.[1]

Liquid crystal (LC) displays are classified as non-emissive displays, meaning they require a separate backlight unit to illuminate the pixels. Over the course of more than five decades, there has been extensive research in materials, device innovations, and substantial investment in advanced manufacturing technologies for thin-film transistor (TFT) LCDs. As a result, TFT LCDs have now reached a mature stage in all aspects of their development. Throughout this advancement, significant progress has been made in overcoming key challenges related to viewing angles, response times, and color gamut. These improvements have contributed to enhancing the overall performance and visual quality of TFT LCDs. Since the 2000s, TFT LCDs have gradually replaced the once-dominant bulky cathode ray tubes (CRTs) and have become the dominant flat-panel display technology. The widespread adoption of TFT LCDs is attributed to their sleek design, energy efficiency, and the ability to produce high-quality images. As a result, they have become the preferred choice for a wide range of applications, including computer monitors, televisions, smartphones, tablets, and other electronic devices. Indeed, as an emissive display, OLED (Organic Light-Emitting Diode) technology offers several distinctive advantages that set it apart from traditional LCDs. These advantages have been achieved through over three decades of continuous research and development in new materials, emission mechanisms, device structures, and manufacturing technologies. Some of the key advantages of OLED displays include:[2]

- **Ultrathin Profile:** OLED displays are incredibly thin compared to LCDs, thanks to their self-emissive nature. This slim profile enables sleek and lightweight designs for various electronic devices.
- **Unprecedented Contrast Ratio (CR):** OLED displays can achieve an infinite contrast ratio because each pixel is individually lit, allowing for true black levels, resulting in vibrant and more lifelike images.
- **Fast Material Response Time:** The organic materials used in OLED displays have a fast response time, which means they can quickly switch on and off. This characteristic makes them suitable for high-speed content, reducing motion blur and ghosting in fast-paced scenes.
- **Vivid Colors:** OLED displays offer a wide color gamut and superior color accuracy, resulting in vibrant and true-to-life colors.

As a result of these advancements, OLED's performance has reached a mature stage, making it a strong competitor to LCD technology. OLED displays are gaining popularity and finding their way into various electronic devices, including smartphones, TVs, monitors, and wearable devices. Additionally, the ultrathin profile of OLED displays opens new possibilities for flexible displays. This technology allows for the development of bendable, rollable, and foldable OLED displays, offering enhanced portability and unique form factors for future devices. Overall, OLED technology's combination of thinness, excellent contrast, fast response time, and vivid colors has made it a compelling choice for display applications, and its continued development holds great promise for the future.

Indeed, in addition to the advantages of OLED displays, micro LED (led) displays offer another significant benefit: high brightness with an ultra-small chip size. This characteristic allows  $\mu$ LED displays to achieve exceptional levels of brightness, making them well-suited for various applications. The high brightness of  $\mu$ LED displays enables the use of an incredibly small aperture ratio, which refers to the portion of the pixel area that is actually used to emit light. With an aperture ratio as small as 1%, it means that up to 99% of the pixel area can be utilized for other purposes, depending on the display's requirements. For sunlight-readable displays, the remaining 99% of the pixel area can be covered by a black matrix, which improves contrast and visibility in bright outdoor conditions. This enhances the display's performance in direct sunlight or other high ambient light situations. On the other hand, for transparent displays, the unused 99% of the pixel area can be covered by a transparent material, allowing light to pass through. This enables the creation of transparent or see-through displays that can find applications in augmented reality, heads-up displays, and various other scenarios. Despite these advantages, the commercialization of  $\mu$ LED displays still faces several challenges that need to be addressed. Some of these challenges include:[2]

- **Manufacturing Complexity:** The process of manufacturing  $\mu$ LED displays involves placing and aligning a large number of microscopic LED chips precisely. This complexity can lead to production difficulties and potential yield issues.
- **Mass Transfer:** Efficient and accurate mass transfer of micro-sized LEDs onto a display substrate remains a technical challenge, impacting the scalability of production.
- **Cost:** The production cost of  $\mu$ LED displays is currently higher compared to other display technologies, limiting their widespread adoption.

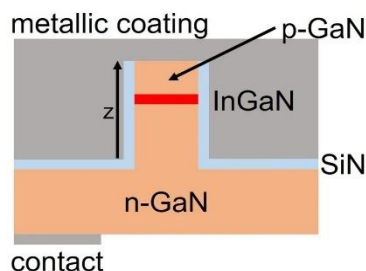
Efforts are ongoing to address these challenges and make  $\mu$ LED displays more viable for commercial applications. As research and development continue, it is expected that  $\mu$ LED displays will evolve further and contribute to the future of display technologies.

## II. MICRO LED

MicroLED displays are at the forefront of LED technology, enabling thinner, smaller, and highly dense LED structures. The individual MicroLEDs typically have sizes ranging from 1 to 10  $\mu\text{m}$  and are arranged in an array structure, allowing for precise control over each pixel. The MicroLEDs are transferred in large volumes onto the integrated circuit (IC) substrate. This process ensures that a vast number of MicroLEDs can be densely packed together, resulting in displays with high resolutions and pixel densities. The IC substrate used for MicroLED displays can be designed to be hard, flexible, transparent, or non-transparent, depending on the specific application requirements. This flexibility in substrate materials enables the creation of diverse display form factors, allowing MicroLED technology to be incorporated into various devices and environments. To protect the delicate micro-LEDs and ensure their long-term performance, a protective layer is applied using physical vapor deposition. This layer acts as a shield, safeguarding the MicroLEDs from external damage and environmental factors. Forming the top electrodes is another critical step in the manufacturing process. The top electrodes enable precise control of each individual MicroLED, allowing for accurate color representation and brightness adjustment. Once all the necessary manufacturing steps are completed, the MicroLED display can be packaged into a simple structure. This structure is designed for easy integration into electronic devices or larger display panels, making it a versatile and practical display solution. The potential of MicroLED displays is immense, with their small size, energy efficiency, high brightness, and vibrant colors making them highly attractive for a wide range of applications. As research and development continue, we can expect MicroLED displays to play a significant role in shaping the future of display technology across various industries.[3]

- 1. Structure:** A MicroLED is a miniaturized version of a traditional LED, designed on a much smaller scale. Its fundamental structure is similar, comprising a semiconductor material like gallium nitride (GaN) with both p-type and n-type regions. When a voltage is applied, electrons and holes are introduced into the junction, where they combine and produce light.

MicroLEDs are significantly smaller than regular LEDs, typically ranging from 1 to 10 micrometers ( $\mu\text{m}$ ) in size, while traditional LEDs are larger, around 100 to 1000  $\mu\text{m}$ . The tiny dimensions of MicroLEDs allow for remarkably higher pixel densities, resulting in sharper and more detailed images. Beyond the semiconductor material, a MicroLED includes several additional layers. An electrode is used to supply the voltage to the semiconductor, while a passivation layer safeguards the semiconductor from potential damage. Moreover, there's a protective layer that shields the MicroLED from environmental factors, ensuring its durability and reliability.



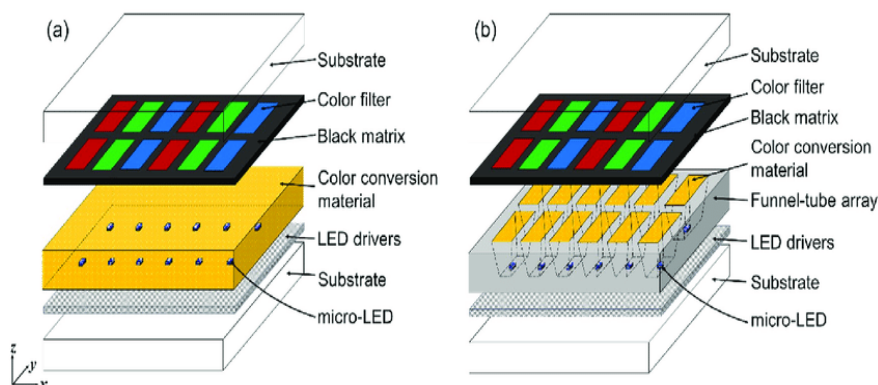
**Figure 1:** The MicroLED structure

The following is an overview of the basic structure of a typical MicroLED: [4]

- **Substrate:** The substrate is a critical component of MicroLEDs as it provides the foundation on which the entire device is constructed. The choice of substrate material can significantly impact the performance and characteristics of the MicroLED. Silicon (Si) substrates are commonly used in MicroLED manufacturing due to their widespread availability and cost-effectiveness. However, sapphire ( $\text{Al}_2\text{O}_3$ ) is also a popular choice, especially for blue and green emitting MicroLEDs, as it offers excellent transparency and thermal conductivity. Gallium arsenide (GaAs) and indium phosphide (InP) substrates are utilized in certain applications where their specific properties, such as high electron mobility, are advantageous. Moreover, the substrate needs to have a high-quality surface to ensure uniform epitaxial growth of subsequent layers.
- **Epitaxial Layers:** The epitaxial growth process is critical for creating the semiconductor layers of the MicroLED. Epitaxy involves depositing thin semiconductor layers onto the substrate with a controlled crystallographic orientation to match the underlying crystal structure. The epitaxial layers are typically grown using techniques like metal-organic chemical vapor deposition (MOCVD) or molecular beam epitaxy (MBE). These layers consist of different semiconductor materials with varying doping concentrations to form the p-n junction required for electroluminescence. The epitaxial layers must be precisely engineered to achieve the desired electrical and optical properties of the MicroLED.
- **P-N Junction:** The p-n junction is the heart of the MicroLED, enabling its functionality as a light-emitting diode. It is formed at the interface between the p-type and n-type semiconductor materials in the epitaxial layers. The p-type region contains a higher concentration of "holes" (positively charged carriers), while the n-type region contains a higher concentration of electrons (negatively charged carriers). When a forward bias voltage is applied across the p-n junction, electrons and holes are driven towards each other, leading to their recombination. This recombination process releases energy in the form of photons, resulting in the emission of light.
- **Emission Layer:** The emission layer is a critical region within the MicroLED structure responsible for the actual light emission. In some MicroLEDs, the emission layer contains quantum wells, which are thin layers of semiconductor materials that confine electrons and holes in a quantized energy state. Quantum wells enable precise control of the emitted light's wavelength, leading to specific colors. Another approach

involves using quantum dots within the emission layer. Quantum dots are nanometer-sized semiconductor crystals that can emit light of various colors based on their size and composition. By carefully engineering the emission layer, MicroLED displays can achieve a wide color gamut, high color accuracy, and improved energy efficiency.

- **Electrodes:** The electrodes are crucial elements that facilitate the flow of electric current through the MicroLED device. They are strategically positioned on the p-type and n-type regions of the semiconductor layers to establish the required forward bias voltage across the p-n junction. In MicroLED displays, each LED element is individually controlled, allowing for precise brightness adjustment and color rendering. Various electrode materials, such as indium tin oxide (ITO) or transparent conductive polymers, are used to ensure efficient current injection while maintaining optical transparency for improved display performance.
- **Passivation Layer:** To protect the delicate semiconductor layers from environmental factors and contamination, a passivation layer is applied on top of the MicroLED structure. The passivation layer acts as a protective barrier, preventing moisture, oxygen, and other impurities from degrading semiconductor materials. It also enhances the overall reliability and longevity of the MicroLED device. Passivation materials often include silicon nitride (SiN<sub>x</sub>) or silicon oxide (SiO<sub>x</sub>), which are chosen for their excellent barrier properties and compatibility with the MicroLED manufacturing process.
- **Funnel Tube Array:** A funnel-tube array (FTA) is a technology used in MicroLED displays to improve optical efficiency and reduce color crosstalk. FTAs are made up of small, tapered tubes that are placed above the MicroLEDs. The tubes are filled with a phosphor material that converts the light emitted by the MicroLEDs into white light. The tapered shape of the tubes helps to direct the light emitted by the MicroLEDs into the phosphor material, which increases the optical efficiency of the display. Additionally, the tubes help to isolate the light emitted by each MicroLED, which reduces color crosstalk. FTAs have been shown to improve the optical efficiency of MicroLED displays by up to 3 times. They have also been shown to reduce color crosstalk by up to 90%. As a result, FTAs are a promising technology for improving the performance of MicroLED displays.



**Figure 2:** Schematic diagram for configuration of full color MicroLED display (a) device A: without funnel-tube array, and (b) device B: with funnel tube array.

**2. Manufacturing Process [5]:** From a manufacturing process perspective, the integration of MicroLED displays can be categorized into three main methods: transfer integration, bonding integration, and growth integration. **Transfer Integration:** Transfer integration involves the fabrication of MicroLEDs on a separate substrate, which is typically referred to as the epitaxial wafer or donor substrate. Once the MicroLEDs are created on this substrate, they are transferred or "picked and placed" onto the target substrate where the display will be formed. This target substrate is often referred to as the receiver substrate. Transfer integration can be further classified into two subcategories based on the methods used for the transfer process: (a) **Wafer-to-Wafer (W2W) Transfer:** In this approach, entire wafers containing MicroLEDs are transferred onto the receiver substrate. This method is suitable for large-scale integration of MicroLEDs. (b) **Pick-and-Place (P&P) Transfer:** In this method, individual MicroLEDs or MicroLED clusters are picked from the donor substrate and precisely placed onto the receiver substrate. P&P transfer allows for higher accuracy and flexibility in positioning the micro-LEDs. **Bonding Integration:** Bonding integration involves directly bonding the MicroLEDs to the receiver substrate. This can be achieved through various bonding techniques, such as flip-chip bonding, solder bonding, or adhesive bonding. The bonding integration process eliminates the need for a separate transfer step and can be more efficient for specific applications. However, it requires precise alignment and bonding techniques to ensure a successful integration of the MicroLEDs onto the receiver substrate. **Growth Integration:** Growth integration, also known as on-chip or on-wafer growth, involves growing the MicroLEDs directly on the receiver substrate. This method requires specialized epitaxial growth techniques to create the MicroLED structures. Growth integration can offer advantages in terms of simplicity and avoiding the transfer or bonding steps. However, it requires sophisticated growth processes and precise control over epitaxial growth conditions.

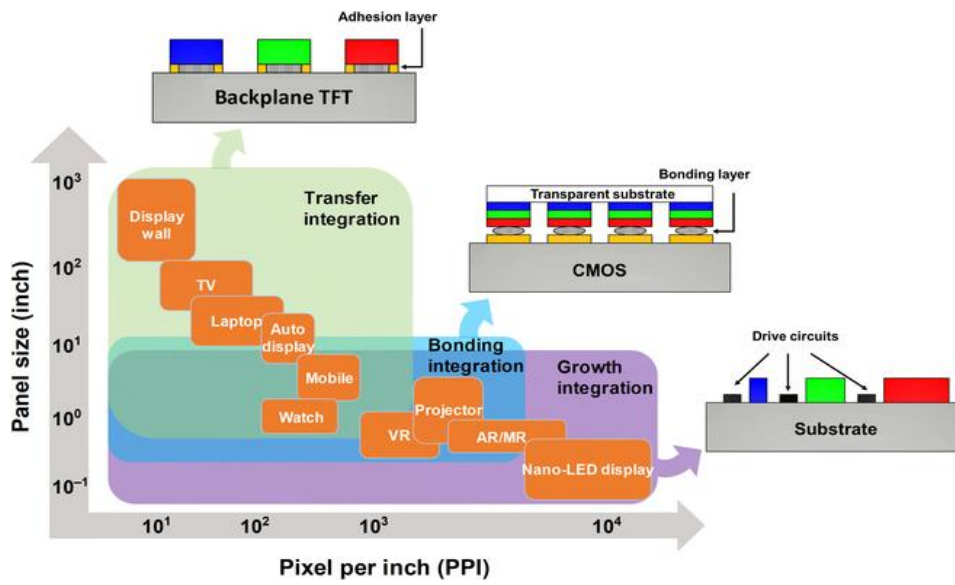
- **Transfer Integration:** In MicroLED display technology, transfer integration involves assembling discrete MicroLED dies onto the receiver substrate using a pick-and-place process. Electrical interconnects are then formed to establish connections between the MicroLEDs and the driving circuitry. On the other hand, bonding integration is a widely used technique in traditional semiconductor devices and is also applicable to MicroLED displays. Wafer bonding allows for the integration of various components or materials in the display system. A specific bonding integration method known as the flip-chip process, or monolithic hybrid, is commonly employed in MicroLED displays. Through this process, MicroLED dies are directly connected to the driving circuitry, enabling precise control and addressing of each individual MicroLED pixel within the display matrix. Both transfer integration and bonding integration are essential in the manufacturing of MicroLED displays. They facilitate the efficient assembly and operation of MicroLEDs, enabling the creation of sophisticated and high-performance display structures. The transfer integration of micro-LEDs is commonly referred to as mass transfer, and it involves a pick-and-place process. One method used for mass transfer is transfer printing, which utilizes van der Waals force between the MicroLEDs and an elastomer stamp or roll stamp. Another technique, known as laser selective-release transfer, employs gravity and expansion force to facilitate the transfer process. Electrostatic and electromagnetic pick-up transfer methods are also used, leveraging electrostatic force and magnetic force generated on the transfer head or transfer arm, respectively. Additionally, fluidic assembly, which

utilizes gravity and capillary forces, has been explored as an alternative mass transfer approach. Transfer integration is a form of heterogeneous integration used in MicroLED display manufacturing. It involves three essential technical steps:

- **Substrate Release:** In the first step, MicroLEDs are fabricated on a separate substrate, often referred to as the donor substrate or epitaxial wafer. These MicroLEDs are grown and processed using specialized manufacturing techniques.
  - **Pick-and-Place:** The next step is the pick- and-place process, where individual MicroLEDs or MicroLED clusters are carefully picked from the donor substrate and precisely placed onto the receiver substrate. This step requires high precision to ensure proper alignment and arrangement of the MicroLEDs on the receiver substrate.
  - **Electrical Interconnection:** Once the MicroLEDs are transferred onto the receiver substrate, the final step involves establishing electrical interconnections between the MicroLEDs and the driving circuitry. This enables each MicroLED to be individually addressed and controlled for displaying desired images or patterns. By completing these three technical steps, transfer integration facilitates the creation of high-resolution MicroLED displays with vibrant colors and superior performance. This approach holds significant potential to revolutionize the display industry, making MicroLED displays suitable for various applications, including consumer electronics, automotive displays, and emerging technologies like augmented reality and virtual reality.
- **Bonding Integration:** In 1989, the concept of wafer fusion, also known as wafer bonding, was introduced for the fabrication and integration of optoelectronic devices. The application of wafer bonding technology in the LED industry can be traced back to the bonding of transparent substrates to AlInGaP-based LEDs, with the aim of achieving higher luminous efficiency. The wafer-bonding process has played a pivotal role in driving advancements in LED technology. Notably, it has led to the development of two important LED structures: the flip-chip structure and vertical structure LEDs, both of which evolved from the traditional face-up structure LED. The flip-chip structure LED involves directly mounting the LED chip onto the substrate with its active area facing downward. This arrangement offers improved heat dissipation and enhanced electrical performance. On the other hand, the development of vertical structure LEDs was made possible by leveraging wafer bonding. In this design, multiple layers of LED materials are grown vertically on the substrate, providing better light extraction and increased overall efficiency. These innovative developments in LED technology, facilitated by the wafer bonding process, have significantly contributed to enhancing LED performance and efficiency. Wafer bonding has been instrumental in advancing LED manufacturing and integration, resulting in more energy-efficient and high-performance LED devices that find extensive applications in various fields today.[6]
  - **Growth Integration:** For silicon-based devices, monolithic integration approaches have been widely applied to construct system-on-a-chip solutions. Instead of using wire bonding for package integration, monolithic integration relies on wafer-level electrode interconnections, allowing for more compact and higher-performance systems. In the realm of LED technology, we can summarize growth integration as a



form of monolithic integration for micro-LED displays. Growth integration involves performing material growth and device preparation on the same wafer. By adopting growth integration, similar to silicon-based devices, MicroLED displays can benefit from high-frequency operation and higher current density, all within an ultra-compact form factor. In essence, the micro-LED array itself exemplifies the concept of monolithic integration, wherein the entire display is fabricated on a single wafer, resulting in a tightly integrated and high-performance MicroLED display system.



**Figure 3:** The main application scenarios of micro-LED display and their characteristic display area and pixel density. The insets are corresponding schematic diagrams of micro-LED subpixels fabricated by transfer integration, bonding integration, and growth integration.

### 3. Challenges in the Manufacturing Process

- Mass Transfer Technology:** The manufacturing of Micro LED displays heavily relies on the intricate process of mass transfer, which involves accurately placing millions or even billions of microscopic LEDs onto a substrate to create a fully functional display. The challenge lies in achieving this on a large scale while ensuring cost-effectiveness and precision. MicroLEDs are extremely tiny, often less than 100 micrometers in size, making their handling and placement exceptionally delicate. Manufacturers face difficulties in developing high-yield and efficient mass transfer techniques that can consistently align and bond MicroLEDs to the substrate with sub-micrometer precision. Even slight deviations during the mass transfer process can lead to dead pixels or uneven brightness across the display, significantly impacting the overall display quality and user experience.
- Uniformity and Consistency:** Maintaining uniformity and consistency in Micro LED displays is a critical concern for manufacturers. Each Micro LED must emit light at the same wavelength and intensity to create a seamless and visually pleasing image. However, due to variations in the manufacturing process, individual MicroLEDs can exhibit differences in colour, brightness, and electrical performance. These disparities can result from variations in crystal structure, impurities, or defects during the

epitaxial growth of the MicroLEDs. Achieving uniformity across a large number of MicroLEDs, especially in displays with high resolutions, demands sophisticated testing, and calibration techniques. Manufacturers must implement feedback mechanisms and advanced quality control measures to monitor and adjust each MicroLED's properties during the production process, ensuring a consistent and visually appealing display output.

- **Defect Management:** The manufacturing of MicroLEDs involves numerous steps and intricate processes, leaving room for defects to occur at various stages. Defects can manifest as crystal irregularities, dislocations, or foreign particles during epitaxial growth or transfer processes. Even a single defective Micro LED can lead to visible flaws in the display, affecting image quality and reducing overall yield. Detecting and managing defects effectively is crucial to maintain the display's performance and visual integrity. Manufacturers employ various inspection techniques, such as microscopy and automated optical inspection, to identify and isolate defective MicroLEDs. Additionally, implementing feedback loops in the manufacturing process allows for real-time adjustments to minimize the impact of defects on the final product.
- **Yield Rates:** The yield rate refers to the percentage of functional MicroLEDs obtained during the manufacturing process. Achieving high yield rates is essential for cost-effective production and competitiveness in the market. Low yields lead to wastage of resources, increased production costs, and ultimately higher prices for consumers. Maximizing yield rates requires a thorough understanding of the root causes of defects and inconsistencies during the manufacturing process. Manufacturers must continually optimize and refine their processes, utilize statistical process control techniques, and invest in advanced equipment to enhance yield rates. Moreover, the development of novel approaches, such as defect-tolerant designs, redundancy strategies, and smart repair technologies, can further improve the yield of Micro LED displays.
- **Size Scaling:** As demand grows for larger Micro LED displays, manufacturers encounter unique challenges related to size scaling. Handling and precisely placing an increasing number of MicroLEDs become progressively complex, making mass transfer technology even more critical. Scaling up the manufacturing process without compromising yield, uniformity, and accuracy requires innovative engineering solutions and advanced automation. Research in robotics and pick-and-place technologies holds promise for streamlining the mass transfer process and facilitating the assembly of large Micro LED displays.
- **Thermal Management:** The compact size and high brightness of MicroLEDs present thermal management challenges during operation. The intense brightness generated by these tiny light sources can result in localized heating, potentially leading to performance degradation and reduced display lifespan. To address this issue, manufacturers must explore efficient cooling solutions that can effectively dissipate heat without adding bulk or weight to the display. Advanced thermal simulation and testing are essential to ensure that the display operates optimally even under prolonged usage and demanding conditions.

- **Cost:** As with any emerging technology, the initial cost of Micro LED displays remains relatively high due to the complexities involved in manufacturing. The cost of equipment, materials, and specialized processes contributes to the overall expense. To achieve widespread adoption, manufacturers must focus on cost reduction through economies of scale, process optimization, and material innovation.

#### 4. Features of MicroLEDs

- **Advantages of MicroLED:**

- **High Brightness and Contrast:** MicroLEDs are renowned for their exceptional brightness levels and impressive contrast ratios. Their ability to emit intense light allows for vivid and eye-catching displays, making content stand out with enhanced clarity and brilliance. The high contrast ratio contributes to sharper and more defined images, as it accentuates the distinction between bright and dark areas on the screen, resulting in a visually engaging viewing experience.
- **Energy Efficiency:** MicroLEDs are inherently energy-efficient due to their small size and individual pixel control. Unlike traditional LCD displays that require a backlight to illuminate the entire screen uniformly, MicroLEDs can selectively activate pixels, consuming less power for dark scenes or content with black backgrounds. This power-saving characteristic can lead to extended battery life in portable devices, lower electricity consumption in large-scale displays, and contribute to eco-friendly and energy-conscious display solutions.
- **Faster Response Times:** One of the standout features of MicroLEDs is their exceptionally fast response times, measured in microseconds. This rapid response virtually eliminates motion blur, making them ideal for fast-paced applications like gaming and virtual reality. The seamless transitions between frames provide smoother and more immersive user experiences, reducing motion artifacts and enhancing the realism of moving content.
- **Wide Color Gamut and Color Accuracy:** The wide color gamut of MicroLED displays allows them to reproduce a broad spectrum of colors, far exceeding the capabilities of traditional display technologies. This expanded color range makes images and videos more vibrant and lifelike, delivering captivating visuals that mimic real-world colors with astonishing fidelity. Additionally, MicroLEDs can achieve high color accuracy, ensuring that colors are displayed precisely as intended by content creators, making them ideal for professional-grade displays and applications like color-critical content creation and medical imaging.
- **Scalability and Flexibility:** MicroLEDs offer scalability in both size and resolution, making them suitable for various applications, from small wearables to large, high-resolution displays. The miniature size of individual MicroLEDs enables the creation of displays with incredibly high pixel densities, leading to sharper images and seamless visual experiences. Moreover, their inherent flexibility allows for the development of curved and bendable displays, offering design freedom and enabling unique form factors in emerging display technologies.

- **Durability and Reliability:** MicroLEDs are solid-state devices with no moving parts, making them more robust and resistant to mechanical failures compared to traditional displays that rely on fragile components like glass substrates. This durability translates into enhanced reliability and longer lifespans, reducing maintenance costs and ensuring prolonged use without significant degradation in performance. The inherent stability of MicroLEDs further contributes to their suitability for applications where reliability is paramount, such as in automotive displays and critical industrial settings.
- **No Burn-in Effect:** Unlike OLED displays, which can suffer from burn-in when static images or elements are displayed for extended periods, MicroLEDs do not experience this issue. Each pixel is individually controlled, preventing image retention and ensuring consistent performance over time. This characteristic makes MicroLEDs particularly well-suited for applications that involve static content, such as digital signage and heads-up displays, without concerns about long-term image persistence.
- **Disadvantages of MicroLED:**
  - **Complex Manufacturing Process:** The manufacturing process for MicroLEDs is intricate and involves multiple precise steps, such as epitaxial growth, transfer methods, and mass integration techniques. These complex processes demand sophisticated equipment and skilled expertise, leading to higher production costs and potential difficulties in achieving high yield rates. As a result, the initial manufacturing challenges may limit the widespread availability and affordability of MicroLED displays in the early stages of their commercialization.
  - **Low Yield Rates:** MicroLED production can encounter yield issues, meaning that a significant number of manufactured MicroLEDs may be defective or fall below the desired quality standards. Low yield rates can escalate costs and hinder the widespread adoption of MicroLED displays. To address this challenge, ongoing research aims to optimize the manufacturing processes and develop innovative transfer and bonding techniques that improve yield rates and enhance the overall cost-effectiveness of MicroLED technology.
  - **Cost:** The intricate manufacturing process, low yield rates, and the need for specialized equipment contribute to higher costs associated with MicroLED displays compared to established display technologies like OLED and LCD. As a result, MicroLED displays can be relatively expensive, limiting their accessibility to certain market segments and high-end applications. However, as the technology matures, economies of scale and advancements in production techniques are expected to gradually reduce costs and facilitate wider adoption across various market segments.
  - **Heat Dissipation:** MicroLEDs can generate heat during operation, especially when displaying bright content or running at high brightness levels. Efficient heat dissipation mechanisms are essential to prevent overheating, maintain optimal performance, and extend the longevity of MicroLED displays. Effective thermal

management solutions are crucial to ensure stable operation and prevent potential thermal-induced degradation of the LED elements, which could affect display quality and reliability.

- **Microscopic Size Challenges:** The extremely small size of individual MicroLEDs, often measured in micrometers, presents challenges in their handling and assembling. Precision is crucial to ensure proper alignment and connection of MicroLEDs during the transfer and integration processes. Overcoming the intricacies associated with handling such miniature components requires specialized equipment and techniques, particularly when aiming for seamless, high-density displays.
- **Lack of Mass Adoption:** While MicroLED technology holds immense potential, it is still in its early stages, and widespread adoption in consumer products may take time to gain momentum. Established display technologies like OLED and LCD have a strong foothold in the market and are well-established in various applications, which can make it challenging for MicroLEDs to compete at a large scale initially. However, continuous research and development efforts, coupled with improvements in manufacturing processes and increased investment from industry players, are expected to drive the adoption of MicroLED technology in various sectors.
- **Market Competition:** MicroLED faces stiff competition from existing display technologies, including OLED and LCD, which have a well-established market presence and wide adoption across consumer electronics and other industries. Established technologies have benefited from significant research and development investments, manufacturing advancements, and the establishment of supply chains, making it challenging for MicroLEDs to quickly gain market share. To succeed, MicroLED technology must differentiate itself through unique features, superior performance, and targeted applications, capturing new market segments and driving innovation in the display industry.

**5. Technological Trend in MicroLEDs:** The technological trends in MicroLEDs have been evolving rapidly. MicroLED technology continues to show great promise and has garnered significant interest from various industries. Here are some of the key technological trends in MicroLEDs:

- **Miniaturization and Pixel Pitch Reduction:** Miniaturization refers to the process of making MicroLEDs smaller in size, often at the nanoscale. This trend involves reducing the individual LED size and decreasing the pixel pitch, which is the distance between adjacent pixels on a display. As MicroLEDs get smaller and pixel pitches become tighter, the display can accommodate more pixels within a given area. This advancement allows for higher resolution displays with improved image quality, sharper details, and higher pixel density, resulting in more realistic and vibrant visuals.
- **Manufacturing Advancements:** Manufacturing advancements in MicroLED technology focus on improving the efficiency and scalability of the production

process. Researchers and manufacturers are exploring innovative techniques to transfer and assemble millions of microscopic LEDs onto a substrate. New approaches, such as laser-assisted transfer and fluidic assembly, aim to make the manufacturing process more cost-effective and capable of producing larger displays. These advancements are vital for the widespread adoption of MicroLED technology in various applications.

- **High Brightness and Efficiency:** MicroLED displays strive to achieve higher brightness levels while maintaining energy efficiency. Brightness is the amount of light emitted by the MicroLEDs, and increasing it leads to more vivid and eye-catching displays. Energy efficiency is critical for reducing power consumption and prolonging the device's battery life. Technological developments focus on optimizing the material composition of MicroLEDs and enhancing light extraction techniques, ensuring that a greater proportion of light is emitted outward, resulting in brighter displays with improved energy efficiency.
- **Color Purity and Wider Color Gamut:** Color purity refers to the accuracy and vibrancy of colors displayed by MicroLEDs. Advanced materials, such as quantum dots, are integrated into the MicroLEDs to achieve better color conversion. Quantum dots enable precise manipulation of colors, leading to displays with enhanced color purity. Additionally, researchers are working on expanding the color gamut, which represents the range of colors that the display can reproduce. A wider color gamut allows for a more extensive spectrum of colors, resulting in more lifelike and immersive visual experiences.
- **Flexible and Curved MicroLED Displays:** Flexible MicroLED displays take advantage of nanoscale components that can bend and conform to different shapes without compromising performance. This technological trend allows for the creation of bendable and rollable displays, enabling innovative form factors and applications. Curved MicroLED displays offer a more immersive viewing experience, as the curvature matches the natural field of view, reducing distortion and increasing engagement.
- **Integration with Other Technologies:** MicroLED technology is being integrated with other cutting-edge technologies to enhance its capabilities. Artificial Intelligence (AI)-driven image processing and sensor technologies are combined with MicroLED displays to optimize visual performance and user experiences. AI algorithms can enhance image quality, adjust brightness dynamically, and improve power management. This integration makes MicroLED displays smarter and more adaptable to user preferences and environmental conditions.
- **High-Resolution MicroLED TVs and Monitors:** High-resolution MicroLED displays are being developed for consumer TVs and monitors. With their small size, MicroLEDs can be densely packed to create displays with ultra-high resolutions, such as 4K and 8K, offering stunning picture quality and incredibly sharp details. These advancements aim to bring MicroLED displays to mainstream consumers, elevating the home entertainment experience to new heights.

- **MicroLEDs for Wearable Devices and AR/VR:** MicroLEDs are particularly suitable for wearable devices due to their compact size and energy efficiency. In the realm of Augmented Reality (AR) and Virtual Reality (VR), MicroLED displays are seen as a game-changer. Their high brightness, fast response times, and low power consumption make them ideal for immersive AR/VR experiences, eliminating motion blur and offering more realistic virtual environments.
- **Automotive Displays:** Automotive applications are benefiting from MicroLED technology, particularly in dashboard panels and Heads-Up Displays (HUDs). MicroLEDs' ability to deliver high brightness, excellent contrast ratios, and enhanced visibility even in bright daylight conditions makes them an attractive solution for automotive display systems. This trend aims to improve safety and driving experiences by providing drivers with clear and relevant information.
- **Continued Research and Collaboration:** The ongoing progress in MicroLED technology is driven by extensive research efforts and collaborations among academic institutions, private companies, and industry stakeholders. Continued investments in research and development contribute to technological breakthroughs, improved manufacturing processes, and new applications for MicroLED displays. Collaborative efforts help foster innovation and accelerate the commercialization of MicroLED technology in various fields and consumer products.

Overall, the technological trends in MicroLEDs are reshaping the display industry and opening up exciting possibilities for more advanced and efficient visual experiences in multiple domains. As these trends progress, MicroLED technology is expected to play a pivotal role in revolutionizing displays across diverse applications, from consumer electronics to automotive and beyond. [1-6]

### III. OPTICAL COMMUNICATION THROUGH MICRO LED:

Optical communication through MicroLEDs is a cutting-edge technology that leverages the unique properties of MicroLEDs for data transmission and communication purposes. MicroLEDs, as mentioned earlier, are microscopic light-emitting diodes with sizes in the micrometer range. They offer high brightness, fast response times, and energy efficiency, making them well-suited for optical communication applications.

**1. Principle of Optical Communication through MicroLEDs:** In optical communication using MicroLEDs, data is transmitted in the form of light pulses generated by these tiny light-emitting diodes. The principle is similar to traditional optical communication, where data is transmitted using lasers or light-emitting diodes through optical fibers. However, the use of MicroLEDs offers additional advantages due to their compact size and potential for integration with various devices and systems.

#### **2. Advantages of Optical Communication through MicroLEDs:**

- **Miniaturization:** Miniaturization in the context of optical communication through MicroLEDs refers to the process of making these microscopic light-emitting diodes even smaller in size. As technology advances, researchers and engineers are

continuously pushing the boundaries of MicroLED fabrication, aiming for smaller dimensions in the micrometer and nanometer range. This miniaturization opens up exciting possibilities for integrating MicroLEDs into tiny devices and wearables, enabling optical communication in compact and portable applications. With their diminutive size, MicroLEDs can be seamlessly embedded into a variety of gadgets without compromising on functionality or adding significant weight. This advancement is particularly crucial in the realm of wearable technology, where consumers seek unobtrusive and lightweight devices with high-performance communication capabilities.

- **High Bandwidth and Data Rates:** The capability of MicroLEDs to achieve fast response times and rapid modulation allows for high bandwidth and data rates in optical communication. As these tiny light-emitting diodes can be modulated at extremely high speeds, they become effective data carriers for transmitting vast amounts of information in a short period. This attribute is especially valuable in telecommunications and networking applications, where high data transfer rates are essential for transmitting large datasets, video streaming, and real-time communication. The ability to achieve high bandwidth and data rates through MicroLEDs opens up new avenues for improved user experiences, seamless connectivity, and efficient data exchange in various industries, including entertainment, healthcare, and smart city infrastructure.
- **Energy Efficiency:** Energy efficiency is a critical advantage of employing MicroLEDs in optical communication. As compared to traditional light sources used in optical communication, such as lasers or LEDs, MicroLEDs consume significantly less power while maintaining their high brightness and modulation capabilities. This energy efficiency is particularly advantageous in portable and battery-powered devices, where power consumption must be minimized to extend battery life and enhance overall device performance. By integrating MicroLEDs in energy-conscious applications, such as wearables, IoT devices, and smart sensors, developers can ensure longer operational lifetimes and reduce the need for frequent battery replacements. This aspect is pivotal in advancing the sustainability and practicality of various optical communication solutions in the modern technological landscape.
- **Direct Integration with Electronics:** One of the strengths of MicroLEDs in optical communication is their compatibility with direct integration into electronic components and systems. By combining MicroLEDs with communication chips and circuits, developers can achieve seamless integration of optical communication functionality within electronic devices. This integration minimizes the need for additional optical components, simplifying the overall design and reducing potential points of failure. Furthermore, the direct integration facilitates efficient data exchange between the optical and electronic domains, streamlining signal processing and enhancing overall system performance. This capability is particularly advantageous in advanced communication systems, high-performance computing, and emerging technologies like AI-driven devices, where seamless connectivity and real-time data processing are critical for delivering optimal user experiences.



- **Flexible and Versatile:** The flexibility and versatility of MicroLEDs in optical communication arise from their fabrication on flexible substrates and their compatibility with various applications and form factors. By leveraging flexible substrates, researchers and engineers can create MicroLED displays and communication devices that can be bent, curved, or conform to irregular shapes without compromising performance. This attribute opens up new possibilities for innovative form factors and applications, such as bendable displays, rollable screens, and conformable communication devices. Additionally, the versatility of MicroLEDs allows them to be integrated into diverse environments, including wearable technology, medical devices, automotive displays, and aerospace systems. This adaptability and versatility are instrumental in pushing the boundaries of optical communication and unlocking novel and unconventional applications across multiple industries.[1-6]

### 3. Applications of Optical Communication through MicroLEDs:

- **Wearable Devices:** Optical communication through MicroLEDs finds extensive application in wearable devices, such as smartwatches, fitness trackers, and augmented reality glasses. These compact and energy-efficient MicroLEDs enable seamless data exchange, real-time notifications, and synchronization between wearables and connected devices, enhancing user experiences and promoting a healthier and more connected lifestyle.
- **Augmented Reality (AR) and Virtual Reality (VR):** In the realm of AR and VR, optical communication through MicroLEDs plays a pivotal role in delivering high-speed data transfer and seamless interaction between users and virtual environments. By providing real-time updates, spatial information, and high-quality visuals, MicroLED-based optical communication elevates the immersion and realism of AR/VR experiences, opening up new possibilities for entertainment, education, and enterprise applications.
- **Biomedical and Healthcare Devices:** MicroLEDs are finding applications in the field of biomedical devices and healthcare monitoring. In healthcare, optical communication through MicroLEDs can enable wireless data transmission in medical devices, sensors, and wearables, facilitating real-time health monitoring and data analysis. The capability of integrating MicroLEDs into medical implants and wearable biosensors holds the potential to revolutionize healthcare diagnostics and remote patient monitoring.
- **Internet of Things (IoT) Devices:** In the rapidly expanding IoT ecosystem, optical communication through MicroLEDs offers a robust and energy-efficient communication solution for connecting a multitude of smart devices. By enabling seamless and reliable data exchange between IoT devices, MicroLED-based optical communication plays a vital role in advancing smart city infrastructure, industrial automation, and interconnected smart homes.[7]
- **High-Performance Computing:** In the realm of high-performance computing and data centers, optical communication through MicroLEDs contributes to enhancing

data transfer rates and reducing latency. By facilitating high-speed data transmission within and between supercomputers and data centers, MicroLED-based optical communication optimizes data-intensive tasks and accelerates the processing of complex algorithms and simulations.

#### 4. Challenges and Future Development

- **Challenges:**

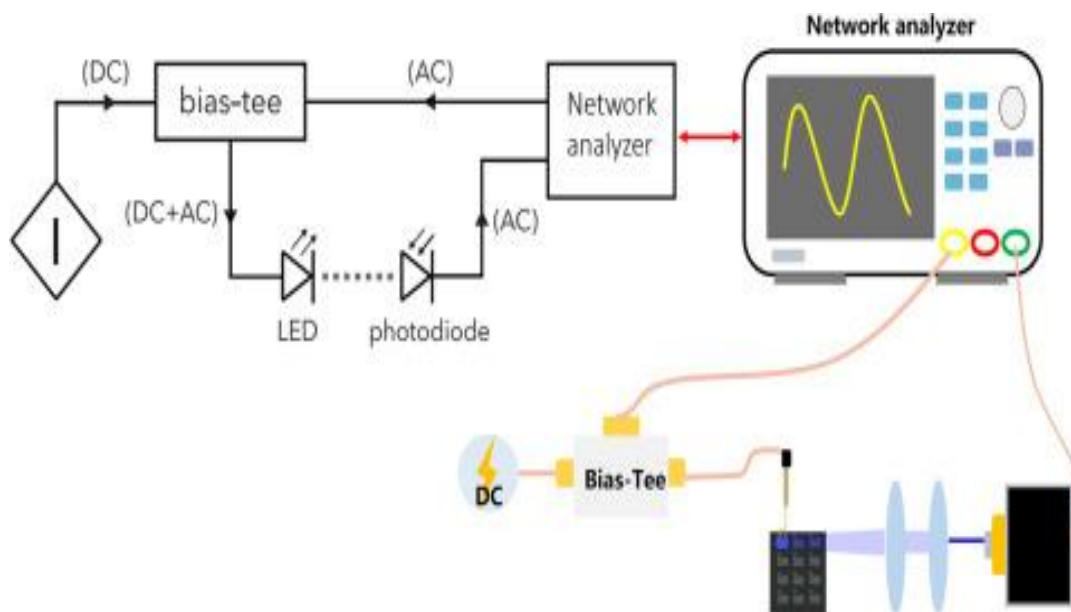
- **Manufacturing Consistency:** Ensuring consistent fabrication of MicroLEDs with uniform characteristics, such as wavelength and intensity, across large-scale production remains a challenge. Variability in performance can lead to discrepancies in data transmission and affect the overall reliability of optical communication systems.
- **Coupling Efficiency:** Efficiently coupling light emitted by MicroLEDs into optical fibers or waveguides is essential for maximizing data transmission efficiency. Achieving high coupling efficiency and maintaining it over varying environmental conditions can be challenging and requires advanced coupling technologies.
- **Power Efficiency at High Data Rates:** While MicroLEDs offer energy efficiency, maintaining this efficiency at high data rates can be demanding. Rapid modulation of MicroLEDs may lead to increased power consumption, necessitating innovative solutions to optimize power efficiency during data-intensive tasks.
- **Heat Dissipation:** MicroLEDs can generate heat during operation, especially when modulated at high frequencies. Effective heat dissipation mechanisms must be in place to prevent thermal damage and ensure the reliability and longevity of MicroLEDs.

**Integration Complexity:** Integrating MicroLED-based optical communication systems with existing electronic devices and infrastructure can be complex. Ensuring seamless interoperability between optical and electronic components requires careful design and engineering. [8]

#### 5. Future Developments:

- **Higher Data Rates:** Advancements in MicroLED technology will enable even higher data rates in optical communication. Research and development efforts will focus on pushing the modulation speeds of MicroLEDs to achieve unprecedented data transmission rates. [9]
- **Improved Efficiency:** Future developments will aim to further improve the energy efficiency of MicroLEDs during data transmission. Innovations in material science, device design, and driving techniques will contribute to reducing power consumption without compromising performance.

- **Enhanced Integration:** Seamless integration of MicroLED-based optical communication with electronic devices and systems will be a focus of future developments. Efforts will be made to simplify the integration process, enhance signal processing capabilities, and achieve true convergence of optical and electronic communication.
- **Miniaturization Advances:** Continued advancements in miniaturization will enable the fabrication of even smaller MicroLEDs, leading to higher pixel densities and improved spatial resolution in MicroLED-based displays and communication devices.
- **Wider Applications:** Future developments will expand the scope of applications for optical communication through MicroLEDs. Emerging technologies such as Li-Fi (Light Fidelity) and integrated photonics hold the potential to open up new frontiers for MicroLED-based optical communication in smart cities, 5G networks, and advanced sensing systems.
- **Flexible and Stretchable MicroLEDs:** Research into flexible and stretchable MicroLEDs will pave the way for optical communication devices that can conform to irregular surfaces, enabling exciting applications in wearable electronics and human-machine interfaces.
- **Quantum Dot Integration:** Integrating quantum dots with MicroLEDs could enhance color purity, spectral efficiency, and enable color-tunable displays and communication systems.
- **Optical Computing:** The combination of MicroLEDs and optical communication might lead to advancements in optical computing, exploring the potential of light-based processors for data-intensive tasks.



**Figure 4:** Diagram of MicroLED based optical wireless communication system

#### IV. ROLE IN MEDICAL FIELD

MicroLEDs in Medical Field: MicroLEDs, with their unique characteristics such as high brightness, fast response times, miniaturization, and energy efficiency, are paving the way for groundbreaking advancements in various medical applications. Their integration into medical devices and therapies holds the potential to revolutionize healthcare and improve patient outcomes. Here are some key areas where MicroLEDs are playing a crucial role:

- 1. Biomedical Imaging:** In medical imaging, MicroLEDs serve as a fundamental component in endoscopes, laparoscopes, and other imaging devices. Their high brightness and miniature size allow for easy integration into these instruments, providing surgeons with enhanced visualization during minimally invasive procedures. By delivering bright and focused illumination, MicroLEDs aid in accurate tissue identification, improving the precision of surgeries and reducing patient trauma.
- 2. Optogenetics:** MicroLEDs are instrumental in the revolutionary field of optogenetics. This cutting-edge technique involves using light to control specific cells within living organisms, especially neurons. MicroLEDs act as light sources to precisely activate or inhibit targeted cells, allowing researchers to study neural circuits, brain function, and neurobiological processes in unprecedented detail. Optogenetics has enormous potential in understanding brain disorders and advancing therapies for conditions like Parkinson's disease, epilepsy, and depression.
- 3. Photodynamic Therapy (PDT):** MicroLEDs find critical applications in photodynamic therapy (PDT), a non-invasive treatment approach that uses light-activated photosensitive drugs to destroy cancer cells and treat certain medical conditions. The high brightness and efficient light delivery capabilities of MicroLEDs enable precise and localized light dosages during PDT, ensuring effective and targeted treatment while sparing healthy tissues.
- 4. Wearable Health Monitors:** The compact size and energy efficiency of MicroLEDs make them ideal for developing wearable health monitors. These devices can continuously track vital signs such as heart rate, blood oxygen levels, and glucose levels in real-time. By providing immediate feedback to both patients and healthcare professionals, wearable health monitors equipped with MicroLEDs facilitate early detection of health issues, enabling timely interventions and personalized healthcare.
- 5. Smart Implants:** MicroLEDs are at the forefront of advancements in smart implant technology. Their miniaturization and compatibility with electronic systems allow for integration into implants for targeted light therapy, localized drug delivery, and real-time monitoring of physiological parameters. Smart implants equipped with MicroLEDs hold the potential to revolutionize medical treatments by providing personalized therapies and improving treatment efficacy.
- 6. Surgical Navigation and Visualization:** MicroLED-based displays contribute to surgical navigation and visualization systems. They offer high-resolution and real-time imaging capabilities, allowing surgeons to precisely plan and execute complex procedures. These displays are particularly valuable in neurosurgery, cardiac surgery, and other intricate surgical interventions.

- 7. Biomedical Research and Drug Development:** MicroLEDs are utilized in biomedical research to create specialized experimental setups for studying cellular responses to light stimulation. Additionally, they play a crucial role in drug development and pharmacology studies, where precise and controlled light activation is essential for understanding cellular functions and potential drug targets.

In summary, MicroLEDs have emerged as powerful tools in the medical field, facilitating advancements in imaging, therapy, diagnostics, and patient monitoring. As research and development in MicroLED technology continue, their capabilities are expected to further expand, fostering a new era of precision medicine and personalized healthcare. With their potential to improve treatment outcomes, enhance medical procedures, and enable novel therapies, MicroLEDs are a promising technology that is reshaping the landscape of modern healthcare.[10]

## V. ROLE IN DEFENSE FIELD

MicroLEDs play a significant and multifaceted role in the defense field, contributing to advancements in communication, situational awareness, surveillance, and training. Their unique properties, such as high brightness, fast response times, miniaturization, and energy efficiency, make them valuable components in a wide range of defense applications. Here's a comprehensive overview of MicroLEDs' role in the defense field:

- 1. Night Vision Devices:** Night vision devices are essential tools for military personnel, providing the ability to operate effectively in low-light or nighttime conditions. MicroLEDs play a pivotal role in these devices as they act as the light source for generating infrared illumination. Their high brightness and energy efficiency enable the creation of intense and focused infrared light, which is then detected by the night vision devices' sensors. By using MicroLEDs in night vision goggles and scopes, military personnel gain a significant advantage in situational awareness, as they can detect potential threats, navigate through dark environments, and conduct covert operations with heightened clarity and precision.
- 2. Heads-Up Displays (HUDs):** Heads-Up Displays integrated with MicroLED technology are vital components in modern military aircraft and vehicles. HUDs project essential flight data, targeting information, and navigation cues directly onto the pilot's or operator's field of view, typically on the windshield or a specialized display screen. MicroLEDs' fast response times ensure real-time updates of critical information, enabling pilots and operators to maintain focus on their surroundings while simultaneously accessing crucial data. This enhances situational awareness during complex combat missions, allowing for faster decision-making and improved execution of tactical maneuvers.
- 3. Communication and Data Exchange:** In the defense field, secure and efficient communication is paramount for successful operations. MicroLED-based optical communication systems provide high-speed data transmission while maintaining a low probability of interception and detection. Integrating MicroLEDs into communication devices and sensors allows for covert data exchange between military personnel on the battlefield, enhancing command and control capabilities. Whether used for troops in the

field, drones, or unmanned vehicles, MicroLED-based optical communication systems enable seamless and reliable data exchange, contributing to effective coordination and execution of military missions.

- 4. Wearable Technology for Soldiers:** Wearable technology equipped with MicroLED displays is transforming how soldiers operate on the battlefield. Smart helmets, tactical vests, and smartwatches integrated with MicroLEDs offer real-time information and situational updates, such as maps, mission objectives, and health monitoring data. These wearables provide soldiers with immediate access to critical information, aiding decision-making and enhancing situational awareness. MicroLED-based displays ensure clear and bright visualizations, even in challenging environments, allowing soldiers to stay informed and adapt to rapidly changing conditions.
- 5. Augmented Reality for Training:** MicroLED-based augmented reality (AR) systems are employed in military training and simulations to create realistic and immersive scenarios for soldiers. These systems overlay virtual elements onto the real-world environment, providing interactive and lifelike training experiences. By incorporating MicroLEDs in AR displays, the virtual elements blend seamlessly with the physical surroundings, enhancing the sense of realism and enabling soldiers to practice tactical scenarios, fine-tune their skills, and develop effective strategies in a controlled and safe environment.
- 6. Enhanced Surveillance and Reconnaissance:** MicroLEDs play a significant role in advanced surveillance and reconnaissance systems used by the military. These systems leverage MicroLED-based displays and sensors to gather and present critical intelligence and situational data to military personnel. The high resolution, brightness, and fast response times of MicroLED displays ensure clear and real-time visualizations, aiding military decision-makers in assessing potential threats, identifying targets, and planning strategic operations. Additionally, MicroLEDs in sensors contribute to precise data capture and analysis, enabling enhanced surveillance capabilities.
- 7. Unmanned Aerial Vehicles (UAVs):** Unmanned aerial vehicles, or drones, are integral to modern military operations, providing reconnaissance, surveillance, and even strike capabilities. MicroLED displays serve as visual interfaces for remote operators, relaying live video feeds, navigation information, and flight telemetry data in real-time. The integration of MicroLEDs ensures that operators have access to clear and detailed visuals, enabling them to make informed decisions during missions. Furthermore, the energy-efficient nature of MicroLEDs extends the operational endurance of UAVs, allowing for longer flight times and increased mission capabilities.

In conclusion, MicroLEDs are at the forefront of defense technology, contributing to advancements in communication, surveillance, situational awareness, and training. Their integration into various military applications enhances the effectiveness and efficiency of military operations, empowering personnel with state-of-the-art tools for success on the battlefield. As MicroLED technology continues to evolve, its role in the defense sector is expected to expand, driving further innovations that bolster national security and military capabilities.[11]

## VI. CONCLUSION

In the ever-evolving technological field, MicroLED has emerged as an awe-inspiring innovation, holding unprecedented promise and potential. This groundbreaking advancement in display technology is redefining the future of visual experiences and communication, captivating the imagination of researchers, engineers, and consumers alike.

The journey into the realm of MicroLED begins with a foundational understanding of Light-Emitting Diodes (LEDs), which underpin the genesis of this revolutionary technology. Delving into the principles of light emission and energy efficiency in LEDs sets the stage for comprehending the monumental leap brought forth by MicroLEDs.

Upon unraveling the introduction of MicroLEDs, a mesmerizing miniature marvel reveals itself. Embracing a pixel-by-pixel approach and a self-emissive nature, MicroLEDs unlock unparalleled image quality, contrast, and brightness, catapulting visual experiences to uncharted heights. The unique and captivating structure of MicroLEDs, with micron-sized LEDs on a microchip, epitomizes the epitome of miniaturization. This compact and ingenious form factor not only opens doors to ultra-thin and flexible displays but also heralds a new era of sleek and immersive devices that seamlessly blend into our daily lives.

Delving deeper into the intricacies of the manufacturing process of MicroLEDs unveils the impressive precision and innovation demanded at every step. From intricate wafer bonding to cutting-edge transfer techniques, each facet is meticulously orchestrated to pave the way for scalable and cost-effective production.

However, amidst the grandeur, the path to perfection is not without its challenges. The manufacturing process of MicroLEDs poses several hurdles, including yield issues, scalability constraints, and the imperative of ensuring consistent and top-notch performance across large-scale production. Tackling these challenges head-on is paramount to unlocking the full potential of MicroLED technology and propelling it to unprecedented heights.

Embracing the wondrous realm of MicroLEDs entails embracing a multitude of awe-inspiring features that set it apart from its predecessors. From unparalleled brightness, energy efficiency, and color accuracy to instantaneous response times and seamless integration, the advantages of MicroLEDs promise to revolutionize visual displays and communication technologies for generations to come.

Yet, as with any innovation, there are also facets to ponder upon. The challenges in the manufacturing process translate into higher production costs, which may influence market adoption. Addressing uniformity issues and ensuring longevity remain critical areas of concern for the industry, necessitating ongoing research and innovation.

Gazing into the future, the technological trend surrounding MicroLEDs is shimmering with tantalizing possibilities. Optical communication, empowered by the prowess of MicroLEDs, is poised to transcend data transmission, enabling high-speed, energy-efficient communication across a plethora of applications and industries.

In the medical domain, MicroLEDs illuminate a path to revolutionize diagnostics, treatments, and health monitoring. With remarkable advancements in biomedical imaging, optogenetics, and photodynamic therapy, MicroLEDs unlock new frontiers for precision medicine and elevate the standard of patient care to unprecedented levels.

In the defense field, MicroLEDs play an indomitable role in elevating situational awareness, communication, and training to unmatched heights. From night vision devices rendering darkness powerless to wearable technology for soldiers empowering them with cutting-edge tools, MicroLEDs become the catalyst for mission success and safeguarding national security.

In conclusion, the perspective of MicroLED in the technological field is unquestionably radiant. With its superior display capabilities, miniaturization wizardry, and potential for transformative applications, MicroLEDs represent a quantum leap in visual experiences and communication technologies. Surmounting the manufacturing challenges while optimizing the technology's myriad advantages will be the fulcrum of widespread adoption and realizing a future where MicroLEDs reshape how we perceive and interact with the world. The journey of research and development into the uncharted territories of this pioneering technology knows no bounds, and as it propels us further into the future, MicroLEDs are poised to redefine and revolutionize the technological landscape as we know it.

## REFERENCES

- [1] [https://www.researchgate.net/figure/a-The-micro-LED-structure-b-Structure-simulated-in-this-study\\_fig1\\_316077313](https://www.researchgate.net/figure/a-The-micro-LED-structure-b-Structure-simulated-in-this-study_fig1_316077313)
- [2] [https://www.researchgate.net/figure/Schematic-diagram-for-configuration-of-full-color-micro-LED-display-a-device-A-without\\_fig1\\_330373979](https://www.researchgate.net/figure/Schematic-diagram-for-configuration-of-full-color-micro-LED-display-a-device-A-without_fig1_330373979)
- [3] <https://onlinelibrary.wiley.com/doi/full/10.1002/lpor.202100427>
- [4] <https://spj.science.org/doi/10.34133/research.0047>
- [5] <https://www.sciencedirect.com/science/article/abs/pii/S008087842100003X>
- [6] [https://www.ledinside.com/outlook/2016/8/overview\\_of\\_micro\\_led\\_history\\_and\\_current\\_developments#:~:text=Micro%2DLED%20structures,emit%20a%20monochromatic%20colored%20light](https://www.ledinside.com/outlook/2016/8/overview_of_micro_led_history_and_current_developments#:~:text=Micro%2DLED%20structures,emit%20a%20monochromatic%20colored%20light)
- [7] <https://www.mdpi.com/2076-3417/8/9/1557>
- [8] <https://sid.onlinelibrary.wiley.com/doi/10.1002/jsid.1058>
- [9] <https://iopscience.iop.org/article/10.1088/1361-6463/abcfe4>
- [10] <https://spj.science.org/doi/full/10.34133/research.0047>
- [11] <https://www.mdpi.com/2354666>